

# High accuracy compression load cell

- ✓ Fully stainless steel
- ✓ Certified up to 6000 divisions
- ✓ Protected against humidity IP-69K. Fully welded
- ✓ With gas dischargers to protect against atmospheric discharges

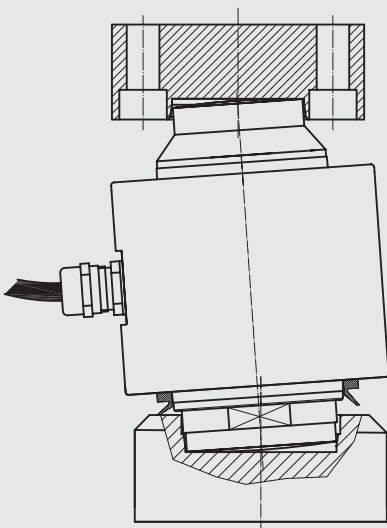


## Technical data

Rated output	$2 \pm 0.03\%$ mV/V
Vmin	$E_{max}/18000$
Excitation voltage	5 – 15 V
Input resistance	$800 \pm 3 \Omega$
Output resistance	$700 \pm 3 \Omega$



### Bases accessory



Height of load cell  
**118,5 mm**

Height of assembly with bases  
**166,5 mm**

Height of assembly with support  
**201,5 mm**

### Support accessory

